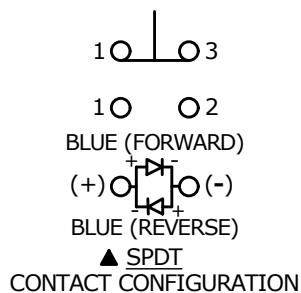
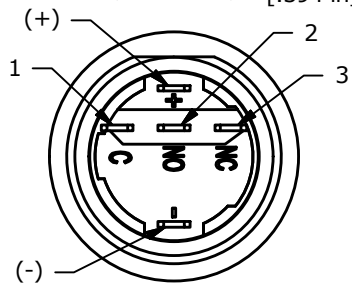
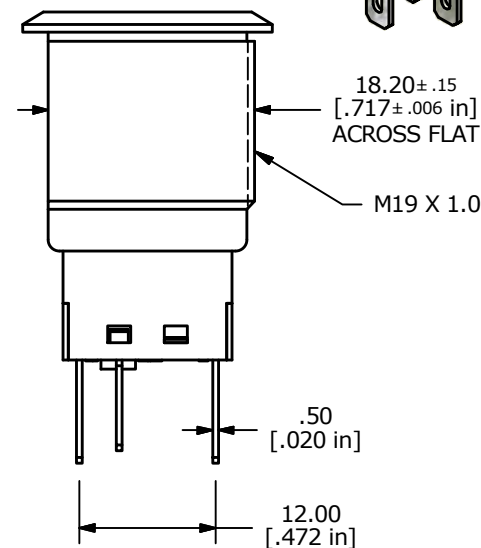
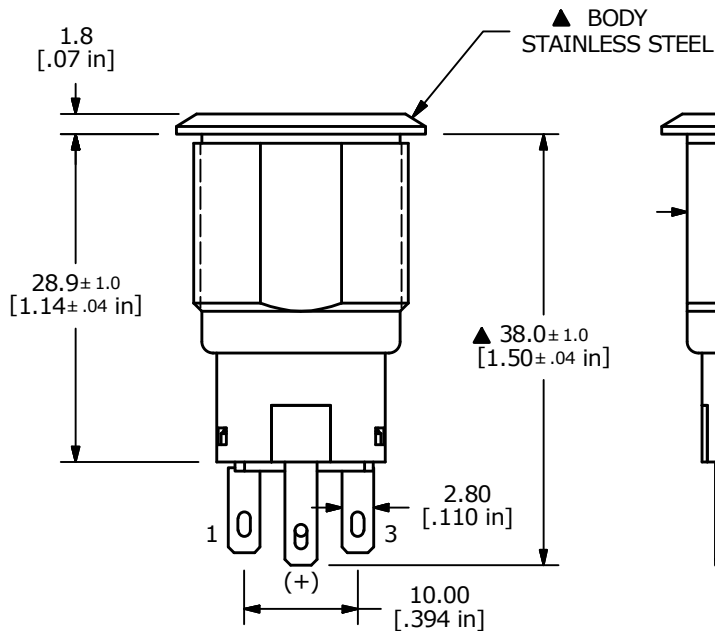
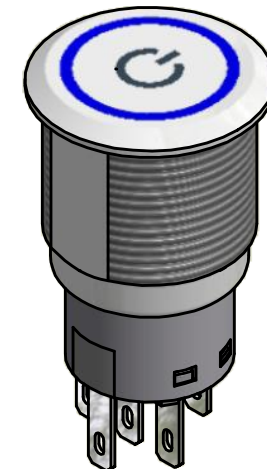
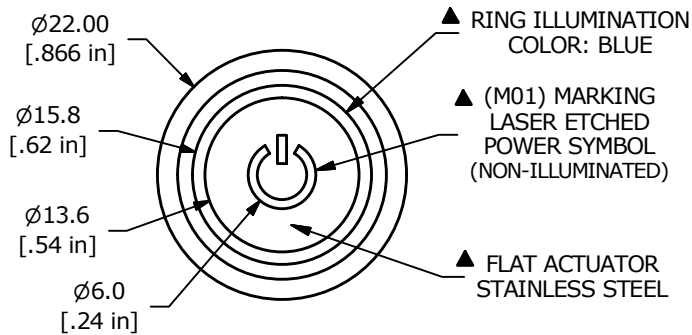


Recommended PANEL CUTOUT
MAX. PANEL THICKNESS:
11.0 [.43in]

SWITCH FUNCTION	
POS. 1	POS. 2
ON	ON
1-3	1-2



- NOTE:
- ALL DIMENSIONS IN MM [INCH]
 - GENERAL TOLERANCE: X.X = ±0.4
X.XX = ±0.25
 - TERMINAL NUMBERS FOR REF ONLY
 - ▲ CONTACT MATERIAL: SILVER
 - RATING: 2A 24VDC
 - ELECTRIC LIFE: 50,000 MAKE-AND-BREAK CYCLES AT FULL LOAD.
 - INSULATION RESISTANCE: 1,000 MΩ MIN.
 - DIELECTRIC STRENGTH: 2,000 VAC MIN. FOR 1 MINUTE
 - CONTACT RESISTANCE: 50mΩ MAX. @ 1A 12VDC
 - OPERATING TEMP.: -20°C to 55°C
 - ▲ TRAVEL: 2.8mm
 - ▲ DENOTES CRITICAL PARAMETER
 - ▲ LAMP VOLTAGE: 2.8V
 - INGRESS PROTECTION: IP65
 - ▲ HARDWARE SUPPLIED: O-RING AND HEXNUT



REV	PCR NO	DESCRIPTION	DATE	BY
B	22413	DRAWING UPDATES	8/30/16	MW
A	22407	RELEASE FOR PRODUCTION	7/26/16	MW

TITLE PV4F230SS-341-M01				
SCALE 3:2	DATE 7/26/2016	DR MW	DWG 52-PV4F230SS341M01	REV B

THE INFORMATION CONTAINED IN THIS DOCUMENT IS PROPRIETARY TO E-SWITCH AND IS NOT TO BE COPIED OR TRANSFERRED